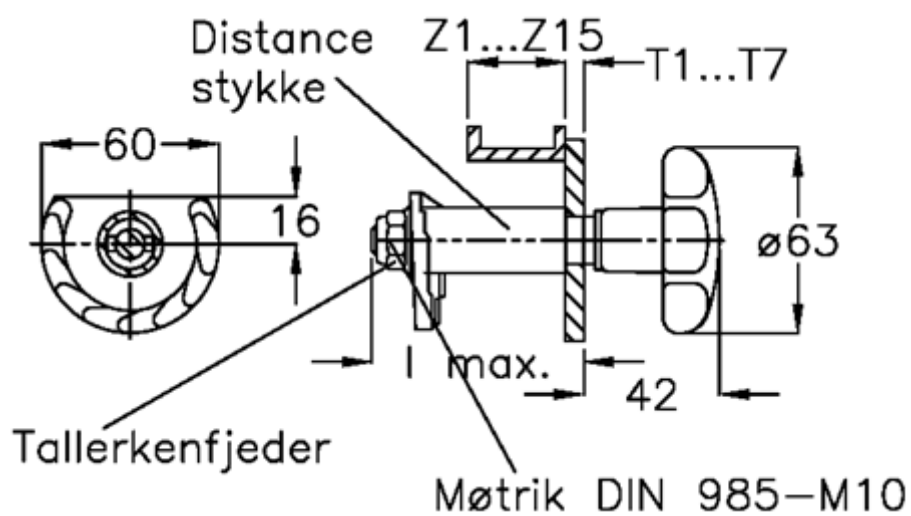


Article number: 20894502

Description: E+G Door lock
GN 117-SG-T5-Z2

Measures



Cam thickness = 3-12